



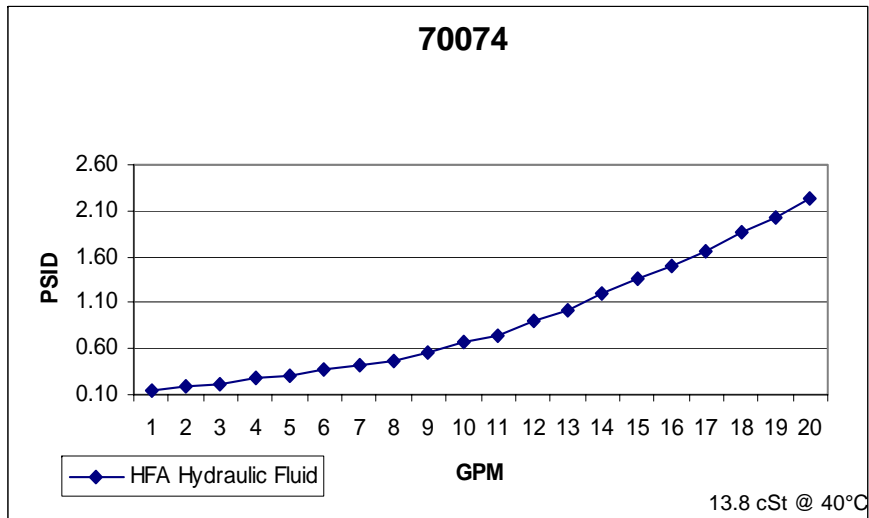
201 N. Champaign St. Bement, Illinois 61813

## 800MG-30 800 SERIES 30 MICRON

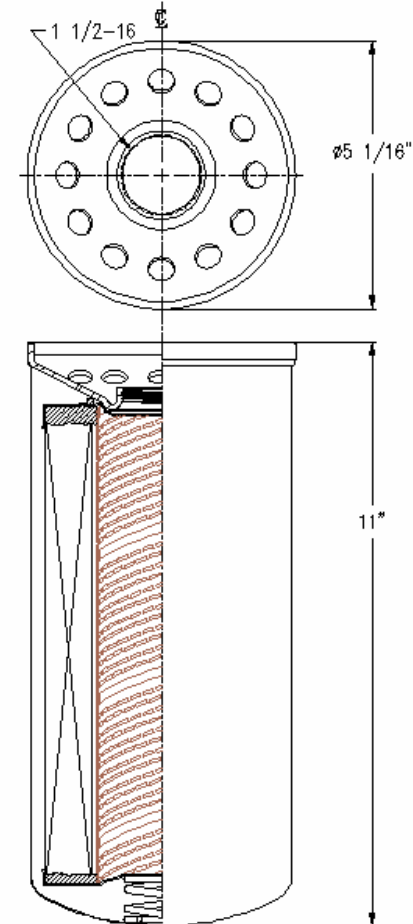
**Media Type:** Microglass

Max Working Pressure (psi): 50

Core Collapse Pressure (psid): 80



## Technical Data Sheet - 70074



Gasket:

I. D. 4 23/32

O. D. 5 1/16

**NOTES:**

1. Technical Data subject to change without notice.
2. Tests are conducted with Mobile Aero HFA Aviation Hydraulic Fluid.
3. Filters are not to be used with aviation applications.