



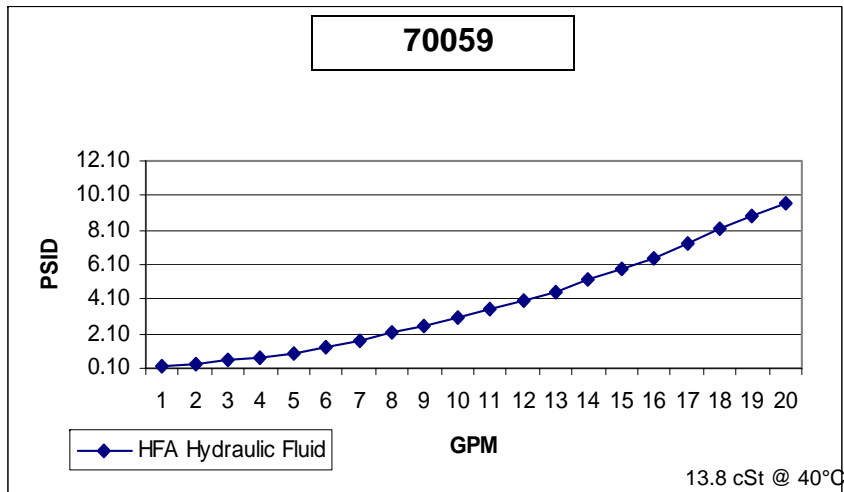
201 N. Champaign St. Bement, Illinois 61813

### 300HS-10 300 SERIES 10 MICRON

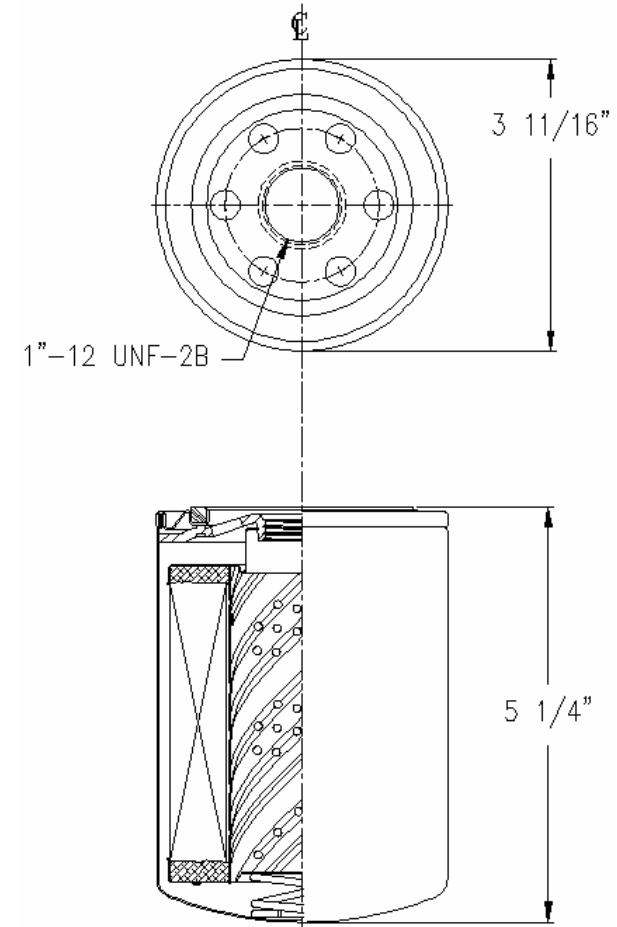
**Media Type:** Hydrosorb

Max Working Pressure (psi): 50

Core Collapse Pressure (psid): 80



### Technical Data Sheet - 70059



**NOTES:**

1. Technical Data subject to change without notice.
2. Tests are conducted with Mobile Aero HFA Aviation Hydraulic Fluid.
3. Filters are not to be used with aviation applications.

**Gasket:**

- I. D. 2 13/32
- O. D. 2 25/32