



201 N. Champaign St. Bement, Illinois 61813

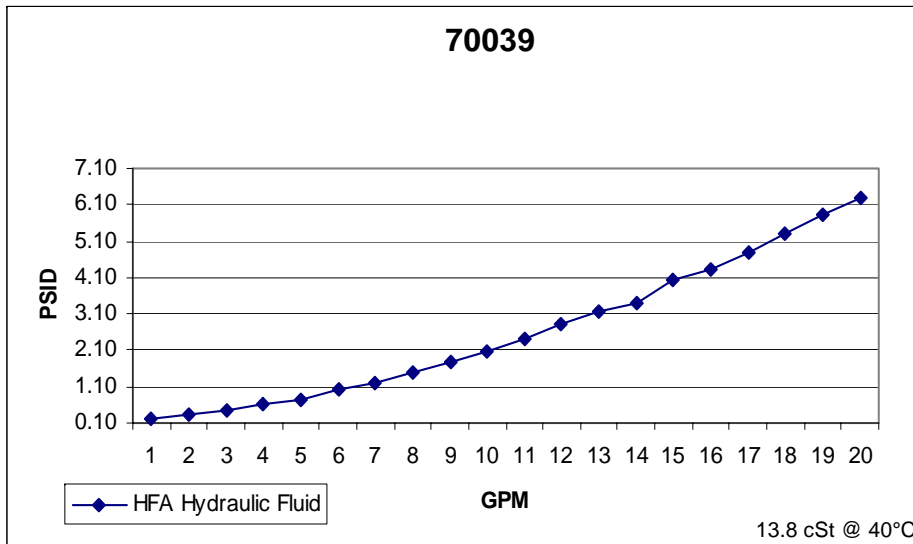
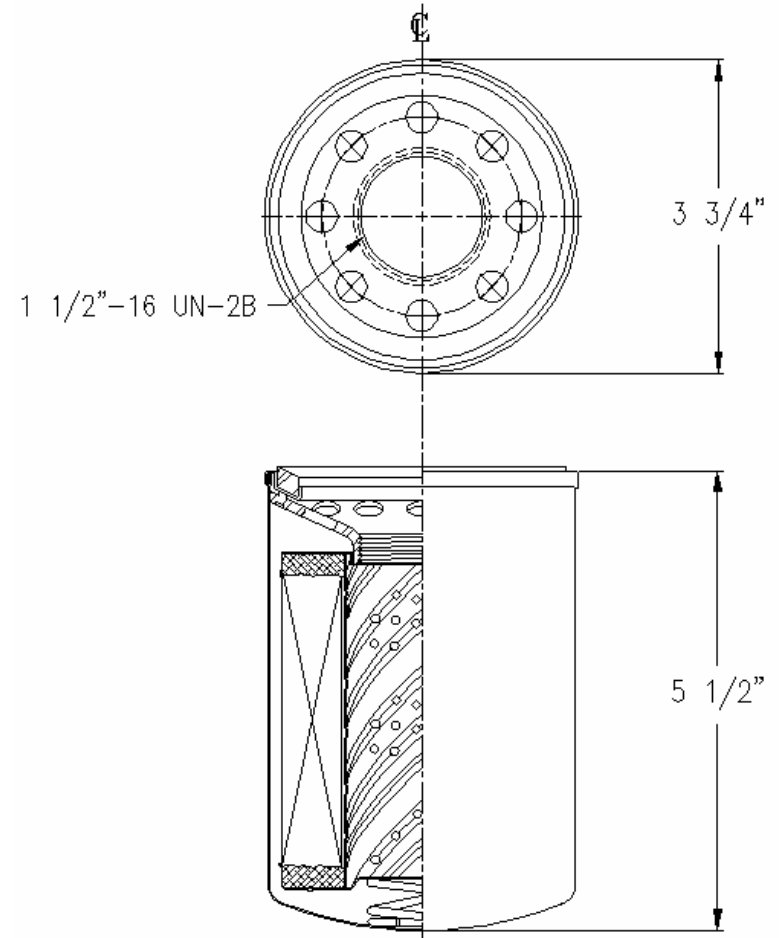
Technical Data Sheet - 70039

**400BHA 400 SERIES HIGH ALCOHOL**

**Media Type:** Microglass

Max Working Pressure (psi): 50

Core Collapse Pressure (psid): 80



**NOTES:**

1. Technical Data subject to change without notice.
2. Tests are conducted with Mobile Aero HFA Aviation Hydraulic Fluid.
3. Filters are not to be used with aviation applications.

**Gasket:**

I. D. 2 31/32

O. D. 3 15/32