



201 N. Champaign St. Bement, Illinois 61813

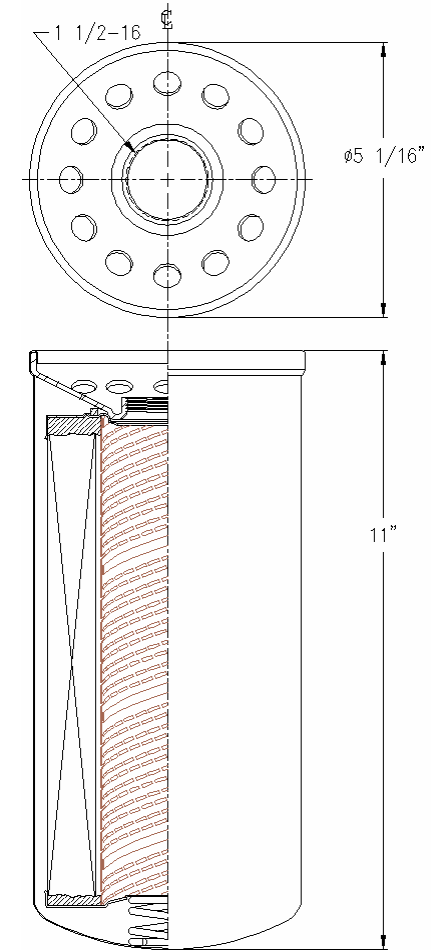
800BHG-02 800 SERIES 2 MICRON BIO-TEK

Media Type: Hydroglass

Max Working Pressure (psi): 50

Core Collapse Pressure (psid): 80

Technical Data Sheet - 70037



Gasket:

I. D. 4 23/32

O. D. 5 1/16

NOTES:

1. Technical Data subject to change without notice.
2. Tests are conducted with Mobile Aero HFA Aviation Hydraulic Fluid.
3. Filters are not to be used with aviation applications.