



201 N. Champaign St. Bement, Illinois 61813

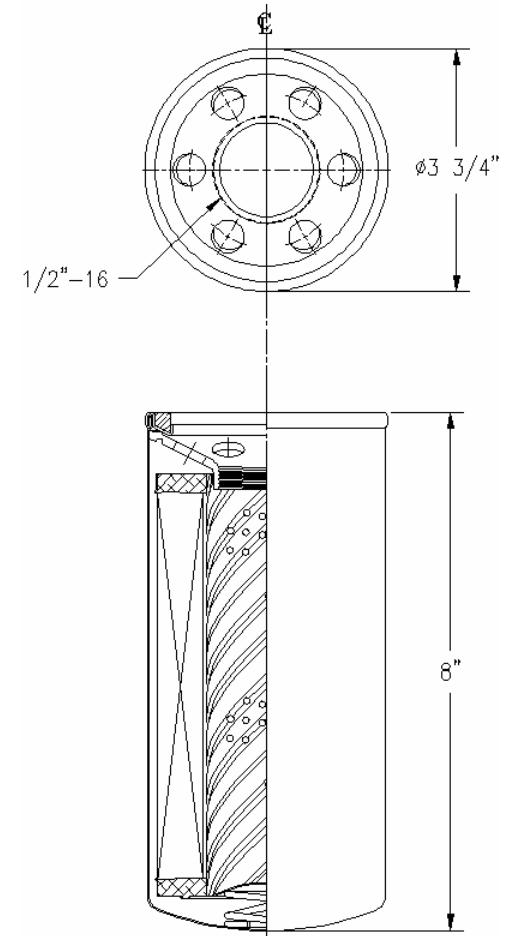
450MB-10 450 SERIES ALCOHOL MONITOR 10 MICRON

Media Type: Cimglass

Max Working Pressure (psi): 50

Core Collapse Pressure (psid): 80

Technical Data Sheet - 70023



Gasket:

I. D. $2 \frac{31}{32}$

O. D. $3 \frac{15}{32}$

NOTES:

1. Technical Data subject to change without notice.
2. Tests are conducted with Mobile Aero HFA Aviation Hydraulic Fluid.
3. Filters are not to be used with aviation applications.