



201 N. Champaign St. Bement, Illinois 61813

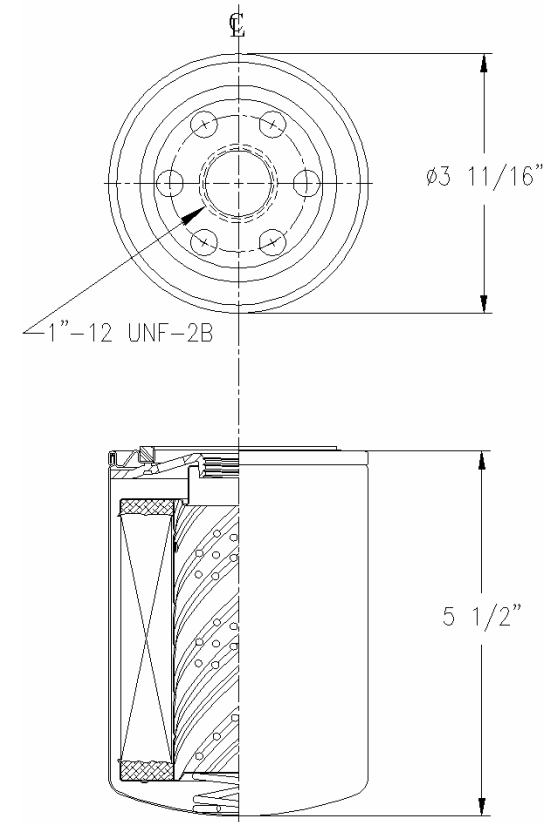
## 300MB-30 300 SERIES ALCOHOL MONITOR 30 MICRON

**Media Type:** Cimglass

Max Working Pressure (psi): 50

Core Collapse Pressure (psid): 80

## Technical Data Sheet - 70018



Gasket:

I. D.  $2 \frac{13}{32}$

O. D.  $2 \frac{25}{32}$

### NOTES:

1. Technical Data subject to change without notice.
2. Tests are conducted with Mobile Aero HFA Aviation Hydraulic Fluid.
3. Filters are not to be used with aviation applications.