



201 N. Champaign St. Bement, Illinois 61813

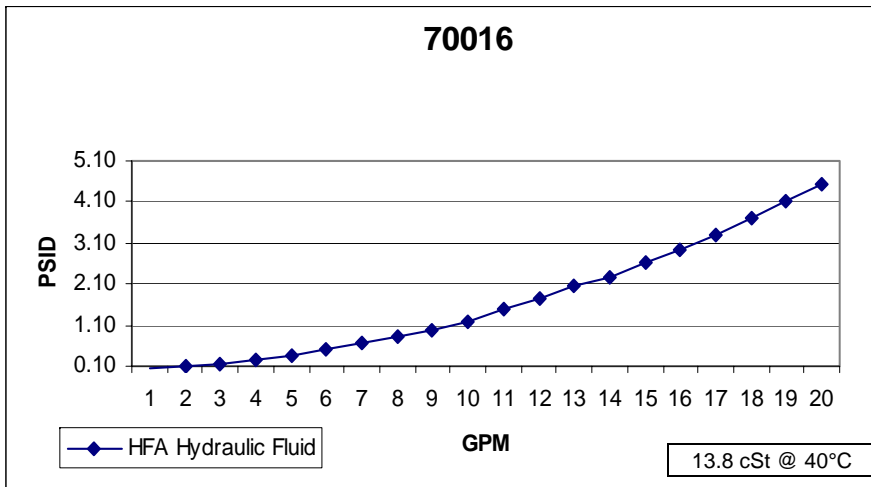
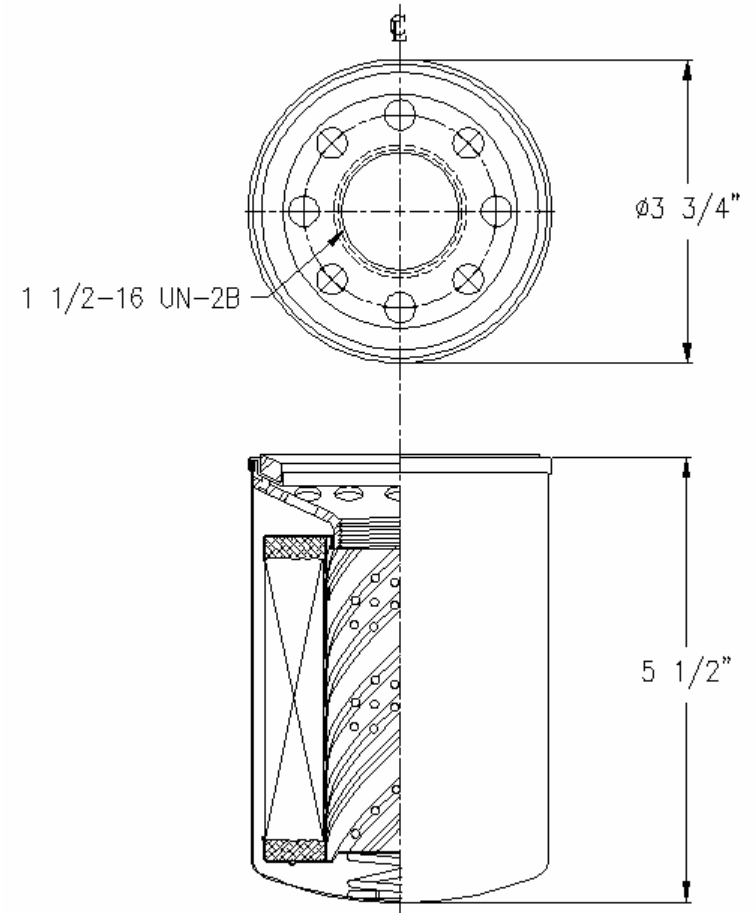
Technical Data Sheet - 70016

**400-30 400 SERIES 30 MICRON**

**Media Type:** Cellulose

Max Working Pressure (psi): 50

Core Collapse Pressure (psid): 80



NOTES:

1. Technical Data subject to change without notice.
2. Tests are conducted with Mobile Aero HFA Aviation Hydraulic Fluid.
3. Filters are not to be used with aviation applications.

Gasket:

I. D.  $2 \frac{31}{32}$

O. D.  $3 \frac{15}{32}$