



201 N. Champaign St. Bement, Illinois 61813

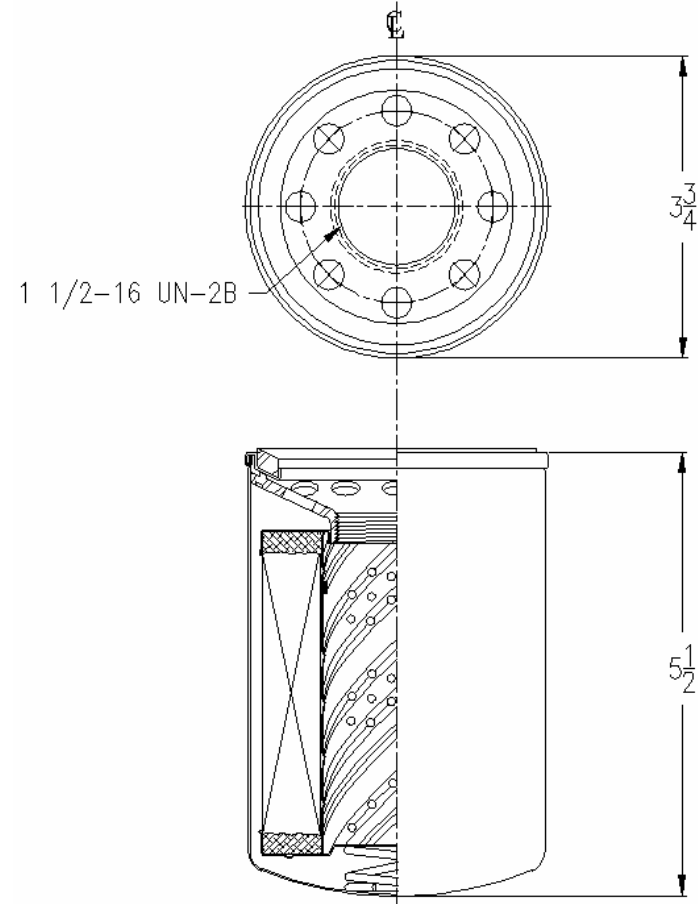
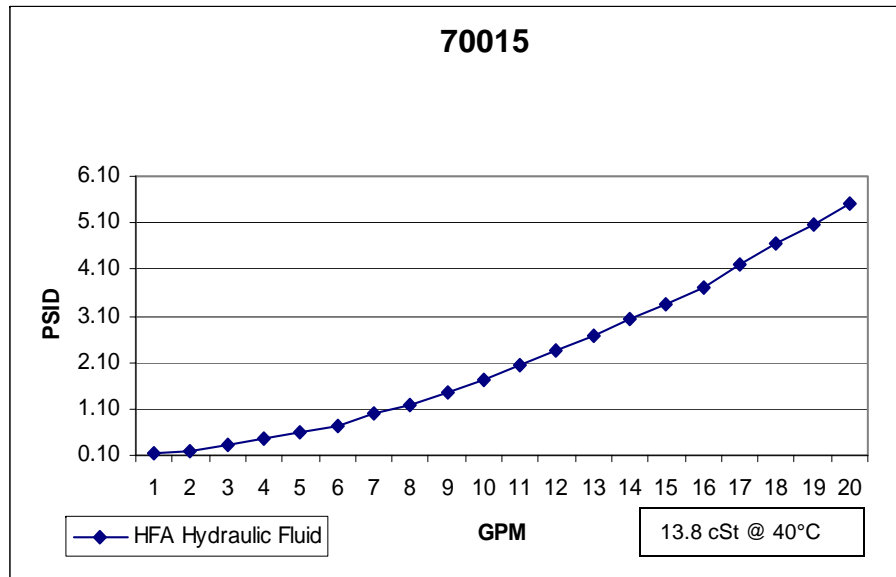
Technical Data Sheet - 70015

400-10 400 SERIES 10 MICRON

Media Type: Cellulose

Max Working Pressure (psi): 50

Core Collapse Pressure (psid): 80



Gasket:

I. D. 2 31/32

O. D. 3 15/32

NOTES:

1. Technical Data subject to change without notice.
2. Tests are conducted with Mobile Aero HFA Aviation Hydraulic Fluid.
3. Filters are not to be used with aviation applications.