



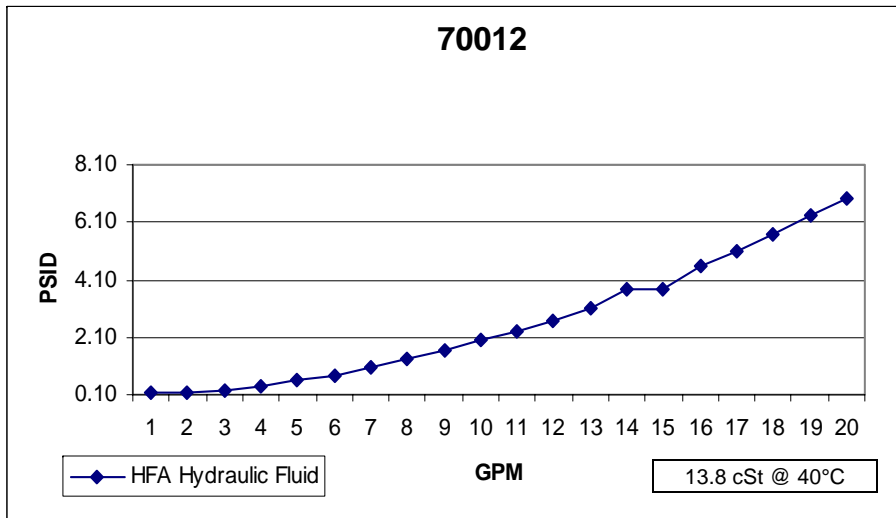
201 N. Champaign St. Bement, Illinois 61813

300-30 300 SERIES 30 MICRON

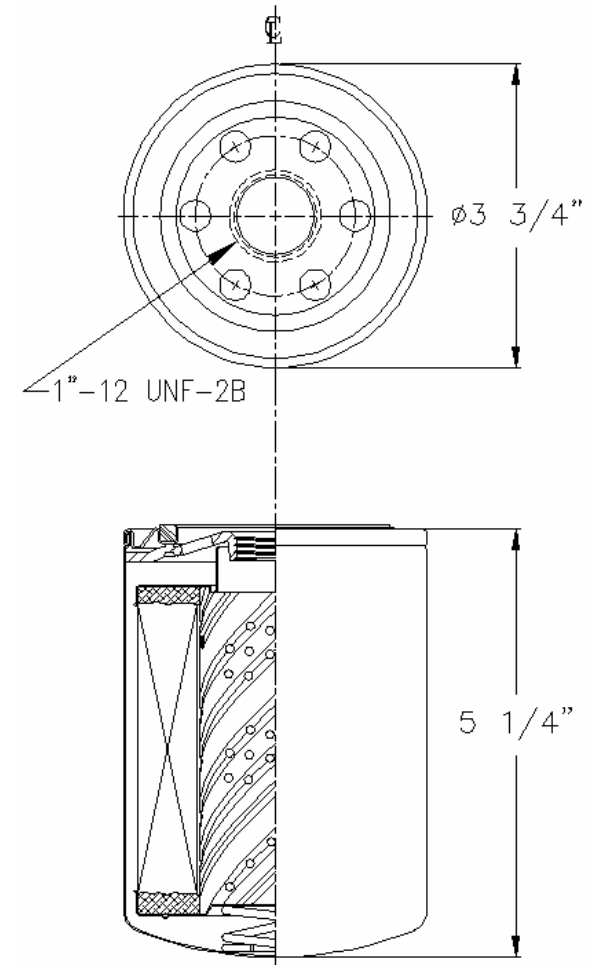
Media Type: Cellulose

Max Working Pressure (psi): 50

Core Collapse Pressure (psid): 80



Technical Data Sheet - 70012



Gasket:

I. D. 2 $\frac{13}{32}$

O. D. 2 $\frac{25}{32}$

NOTES:

1. Technical Data subject to change without notice.
2. Tests are conducted with Mobile Aero HFA Aviation Hydraulic Fluid.
3. Filters are not to be used with aviation applications.