



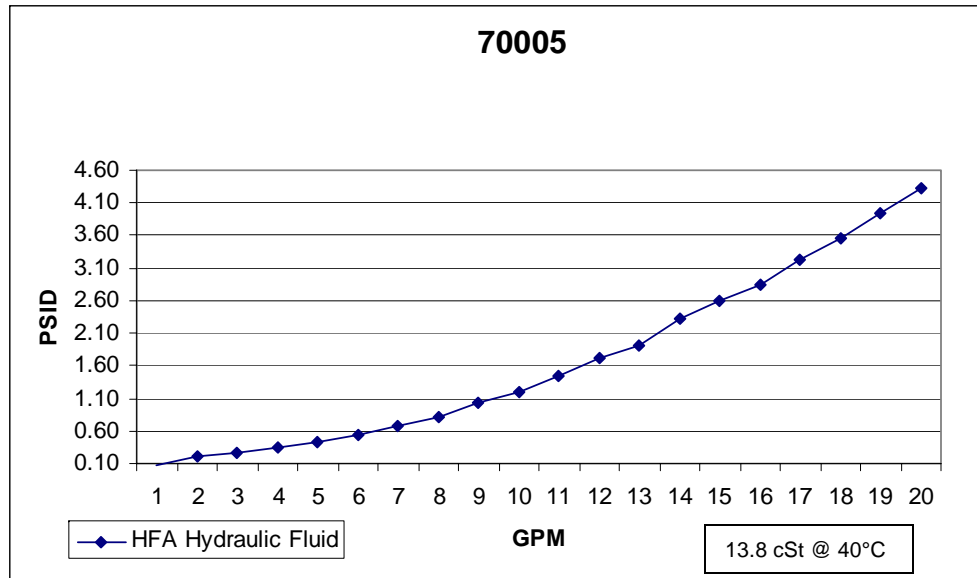
201 N. Champaign St. Bement, Illinois 61813

## 250AE-10 250 SERIES 10 MICRON

**Media Type:** Cellulose

Max Working Pressure (psi): 50

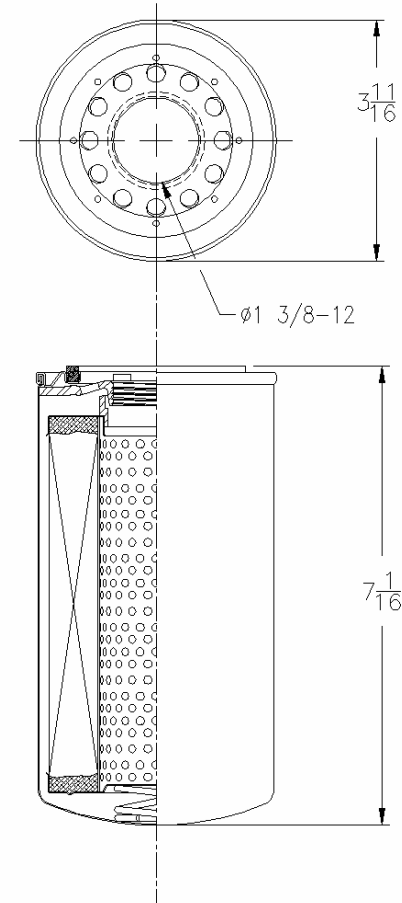
Core Collapse Pressure (psid): 80



**NOTES:**

1. Technical Data subject to change without notice.
2. Tests are conducted with Mobile Aero HFA Aviation Hydraulic Fluid.
3. Filters are not to be used with aviation applications.

### Technical Data Sheet - 70005



**Gasket:**

I. D. 2 13/32

O. D. 2 25/32