



Cim-Tek® Filtration

Bio-Tek®

Renewable Fuels Technology

There are many reasons consumers, transportation companies, fleets and farmers are using more and more bio-fuels such as E10, E15, E85, B2, B5, B10 and B100. **It just makes sense.** But along with all of the benefits of switching to bio-fuels there are some challenges. By its very nature, bio-fuel is a very aggressive cleaning agent and requires special dispensing equipment to prevent damage to engines. As the bio-fuel cleans storage tanks, hoses, piping, etc., a special dispenser filter is needed to prevent the released contaminants from migrating into an engine.

FILTRATION PRODUCTS DESIGNED FOR BIO-FUELS **Protect Your Customers. Dispense Clean Bio-Fuel**

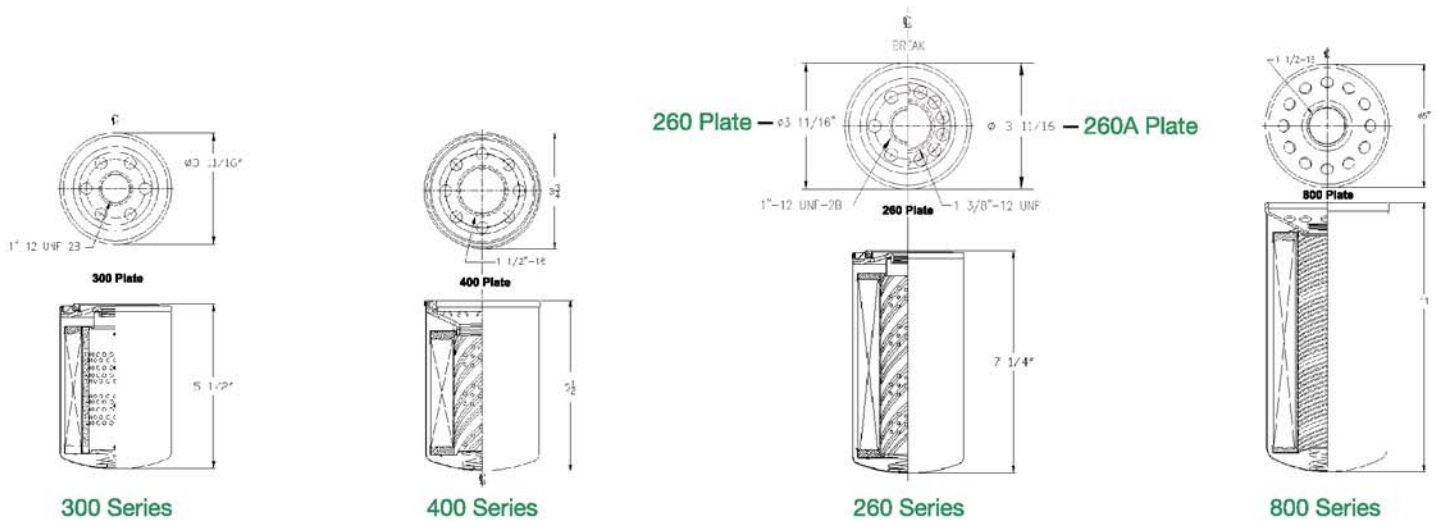
Cim-Tek® Filtration has taken fuel filtration to the next level in its Bio-Tek® Line of products. Bio-Tek® combines all of the state-of-the-art advances in fluid filtration to offer:



- Bio-Tek® exclusive **Progressive Density®** 2 micron filtration
- **3-4 times longer filter life** due to higher dirt holding capacity
- Models to detect **Phase Separation and Water** in the fuel
- Unique **Pre-Lubed gaskets**...reduces installation time
- **Dispenser & Pump Filters for all bio-fuels**



Bio-Tek® Filters Dimensional Information



Bio-Tek® Microglass Filter (For Ethanol Blends up to E15 and Biodiesel up to B100)					
Part No.	Model No.	Description	Pressure	Flow	Thread Size
70230	260BMG-02	2 Micron Particulate Filter	50 PSI / 3.4 Bar	18 Gpm / 68.1 Lpm	1"-12 UNF
70234	260BMG-10	10 Micron Particulate Filter	50 PSI / 3.4 Bar	18 Gpm / 68.1 Lpm	1"-12 UNF
70221	260ABMG-02	2 Micron Particulate Filter	50 PSI / 3.4 Bar	18 Gpm / 68.1 Lpm	1 3/8"-12 UNF
70225	260ABMG-10	10 Micron Particulate Filter	50 PSI / 3.4 Bar	18 Gpm / 68.1 Lpm	1 3/8"-12 UNF
70057	300BMG-02	2 Micron Particulate Filter	50 PSI / 3.4 Bar	25 Gpm / 94.6 Lpm	1"-12 UNF
70058	300BMG-10	10 Micron Particulate Filter	50 PSI / 3.4 Bar	25 Gpm / 94.6 Lpm	1"-12 UNF
70105	400BMG-02	2 Micron Particulate Filter	50 PSI / 3.4 Bar	25 Gpm / 94.6 Lpm	1 1/2"-16 UNF
70104	400BMG-10	10 Micron Particulate Filter	50 PSI / 3.4 Bar	25 Gpm / 94.6 Lpm	1 1/2"-16 UNF
70036	800BMG-02	2 Micron Particulate Filter	50 PSI / 3.4 Bar	40 Gpm / 151 Lpm	1 1/2"-16 UNF
70028	800BMG-10	10 Micron Particulate Filter	50 PSI / 3.4 Bar	40 Gpm / 151 Lpm	1 1/2"-16 UNF

Bio-Tek® Hydroglass Filter (For Ethanol Blends up to E15 and Biodiesel up to B100)					
Part No.	Model No.	Description	Pressure	Flow	Thread Size
70232	260BHG-02	2 Micron Progressive Density® Particulate Removal & Water Detection Filter	50 PSI / 3.4 Bar	18 Gpm / 68.1 Lpm	1"-12 UNF
70236	260BHG-10	10 Micron Particulate Removal & Water Detection Filter	50 PSI / 3.4 Bar	18 Gpm / 68.1 Lpm	1"-12 UNF
70223	260ABHG-02	2 Micron Progressive Density® Particulate Removal & Water Detection Filter	50 PSI / 3.4 Bar	18 Gpm / 68.1 Lpm	1 3/8"-12 UNF
70227	260ABHG-10	10 Micron Particulate Removal & Water Detection Filter	50 PSI / 3.4 Bar	18 Gpm / 68.1 Lpm	1 3/8"-12 UNF
70037	800BHG-02	2 Micron Progressive Density® Particulate Removal & Water Detection Filter	50 PSI / 3.4 Bar	40 Gpm / 151 Lpm	1 1/2"-16 UNF
70024	800BHG-10	10 Micron Particulate Removal & Water Detection Filter	50 PSI / 3.4 Bar	40 Gpm / 151 Lpm	1 1/2"-16 UNF

Bio-Tek® Alcohol Monitor Filter (Detects Phase Separation in Ethanol Blends up to E15)					
Part No.	Model No.	Description	Pressure	Flow	Thread Size
70116	300MB-05	5 Micron Phase Separation Monitor & Particulate Filter	50 PSI / 3.4 Bar	25 Gpm / 94.6 Lpm	1"-12 UNF
70122	300MB-10	10 Micron Phase Separation Monitor & Particulate Filter	50 PSI / 3.4 Bar	25 Gpm / 94.6 Lpm	1"-12 UNF
70018	300MB-30	30 Micron Phase Separation Monitor & Particulate Filter	50 PSI / 3.4 Bar	25 Gpm / 94.6 Lpm	1"-12 UNF
70114	400MB-05	5 Micron Phase Separation Monitor & Particulate Filter	50 PSI / 3.4 Bar	25 Gpm / 94.6 Lpm	1 1/2"-16 UNF
70120	400MB-10	10 Micron Phase Separation Monitor & Particulate Filter	50 PSI / 3.4 Bar	25 Gpm / 94.6 Lpm	1 1/2"-16 UNF
70106	400MB-30	30 Micron Phase Separation Monitor & Particulate Filter	50 PSI / 3.4 Bar	25 Gpm / 94.6 Lpm	1 1/2"-16 UNF

Bio-Tek® High Bio-Content Filter (E85, M100, B100)					
Part No.	Model No.	Description	Pressure	Flow	Thread Size
70025	300BHA-01	1 Micron Particulate Filter For E85, M85 & B100	50 PSI / 3.4 Bar	25 Gpm / 94.6 Lpm	1"-12 UNF
70039	400BHA-01	1 Micron Particulate Filter For E85, M85 & B100	50 PSI / 3.4 Bar	25 Gpm / 94.6 Lpm	1 1/2"-16 UNF
70041	800BHA-01	1 Micron Particulate Filter For E85, M85 & B100	50 PSI / 3.4 Bar	40 Gpm / 151 Lpm	1 1/2"-16 UNF

* Filters are not to be used with aviation applications.

REVISION B 08/06/07